



# KOLOSS

Manufacturer of shears, balers and shredders for  
the scrap metal recycling industry since 1947.



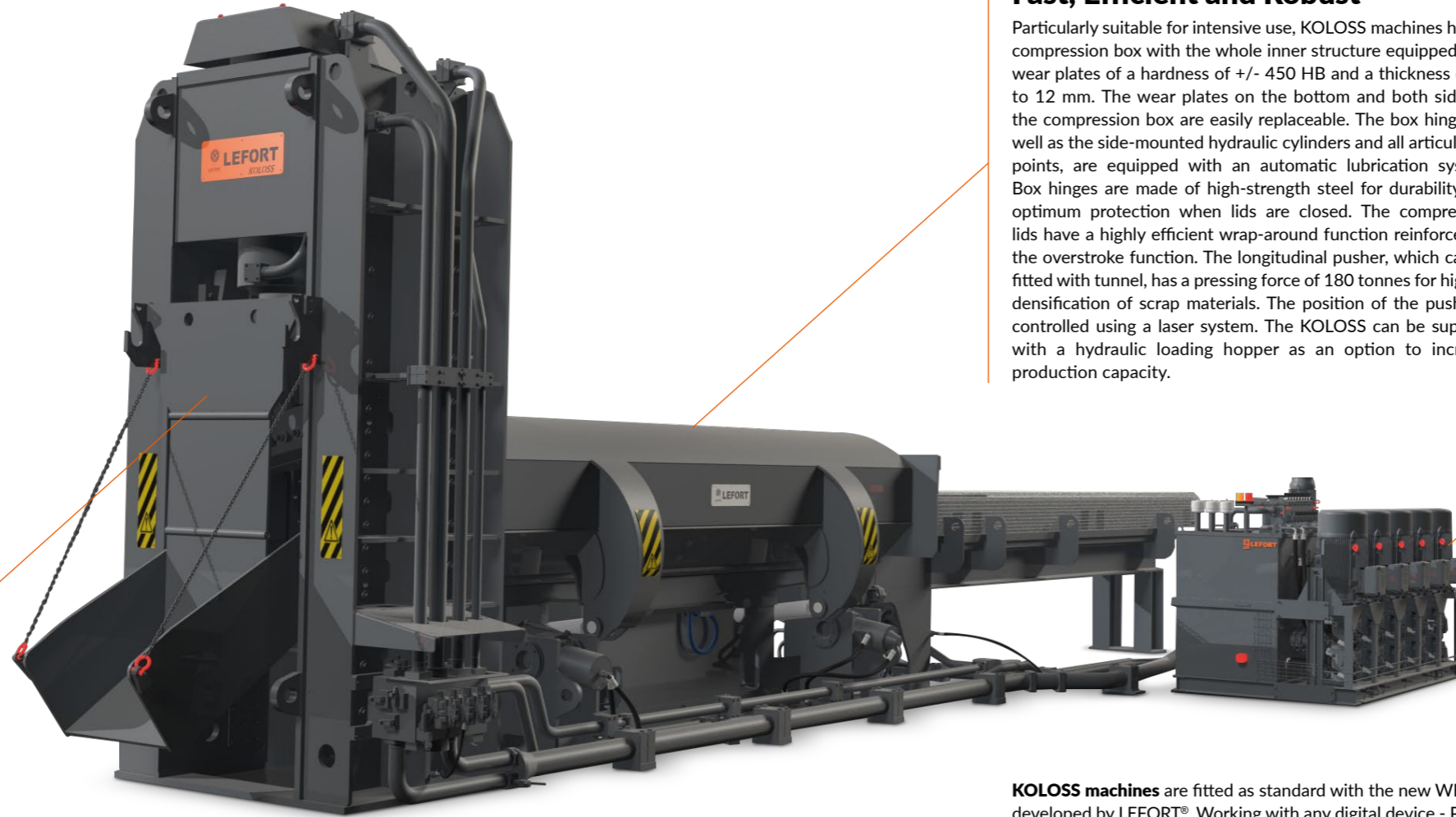


The **KOLOSS**, with their cutting forces ranging from 1000 to 1700T, are equipped with a wrap-around compression box invented by **LEFORT®**. These extremely robust heavy-duty shears are capable of baling and shearing very large volumes of scrap metal. These multi-bloc machines are divided into 3 major subassemblies: the shear head, the compression box, and the power pack. A safety platform, with a cabin, can be added to operate the machine securely and comfortably.



### Shear Head: Built to Last

One of the key components of the KOLOSS is the shear head, an entirely fabricated unit. Its specific features make it particularly robust and efficient: automatic centralized lubrication, hydraulic blade fixing system for rapid blade change. A special feature patented by LEFORT®: the hold-down with "combs", which reduces wear and the risk of scrap metal jamming. The guides of the shear have a rectangular shape, the best way to guarantee easy adjustment and low maintenance costs. The optional window/closed cross-head provides a more rigid structure and optimal guidance throughout the movement.



### Compression Box: Fast, Efficient and Robust

Particularly suitable for intensive use, KOLOSS machines have a compression box with the whole inner structure equipped with wear plates of a hardness of +/- 450 HB and a thickness of up to 12 mm. The wear plates on the bottom and both sides of the compression box are easily replaceable. The box hinges as well as the side-mounted hydraulic cylinders and all articulation points, are equipped with an automatic lubrication system. Box hinges are made of high-strength steel for durability and optimum protection when lids are closed. The compression lids have a highly efficient wrap-around function reinforced by the overstroke function. The longitudinal pusher, which can be fitted with tunnel, has a pressing force of 180 tonnes for highest densification of scrap materials. The position of the pusher is controlled using a laser system. The KOLOSS can be supplied with a hydraulic loading hopper as an option to increase production capacity.



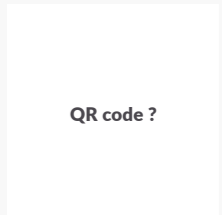
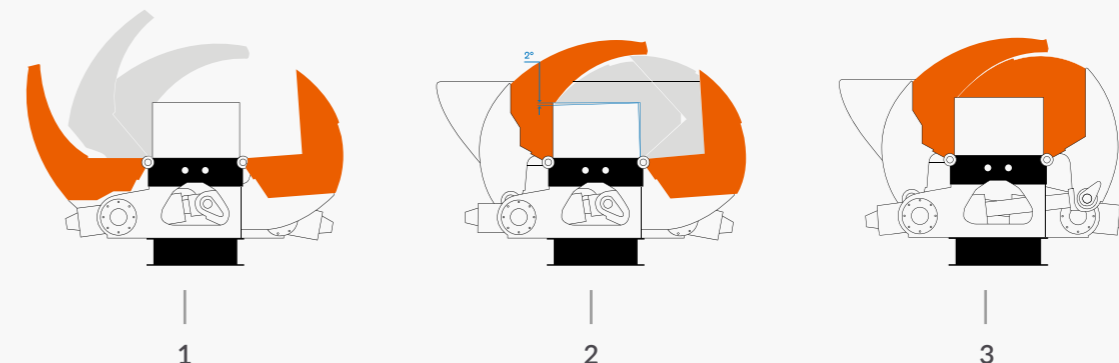
### Flexibility & Energy Efficiency

The power unit and the hydraulic system are configured to optimize performance while guaranteeing operating smoothness. High cutting speeds are made possible by the simultaneous automatic execution of several movements. Speed is increased by oil transfer in the cylinders and the use of new-generation high-pressure pumps. While cycle times are reduced, energy consumption has been cut by 17% compared with previous generations of shear balers. The proportional design of the hydraulic pumps means increased energy efficiency during certain operating phases.



**KOLOSS machines** are fitted as standard with the new WEB VISU remote maintenance system developed by LEFORT®. Working with any digital device - PC, tablet, mobile phone - this system enables precise production data to be collected, and the machine to be monitored and serviced in real time, optimizing operation and maintenance.

Cutting Force	t	1000	1300	1450	1700
Cutting width	mm	940	940	1000	1300
Hold-down force	t	240	300	400	400
Compression box	L (mm)	8000	8000	8000	8000
	W (mm)	2800	2800	3140	4200
Force of the lids	t	2 x 400	2 x 400	2 x 450	2 x 600
Electric power unit	kW	1 x 315	5 x 110	5 x 110	6 x 110
		4 x 110	6 x 110	6 x 110	8 x 110
Diesel	hp	1 x 600	2 x 600	2 x 600	Upon request
Capacity up to	t/h	40	55	65	80



To find out more, scan the QR code to watch the video online

Electric or diesel version, hydraulic unit in container, extreme climate adaptation: Feel free to consult us for your specific requirements.

